

## HZS300M-60

### MONOCRYSTALLINE SOLAR MODULE

#### Feature



#### Hangzhou Solar current sorting process

System output maximized by reducing mismatch losses upto 2% with modules sorted & packaged by amperage



#### High module conversion efficiency

Module efficiency up to 19.84% achieved through advanced cell technology and manufacturing capabilities



#### Self-cleaning & anti-reflective

Higher module efficiency from anti-reflective, hydrophobic layer with higher light absorption and minimal surface dust



#### Excellent weak light performance

Excellent performance under low light conditions



#### Extended wind and snow load tests

Module certified to withstand extreme wind (3800 Pascal) and snow loads (5400 Pascal)



#### Positive tolerance

Guaranteed positive tolerance of up to 5% delivers higher outputs reliably



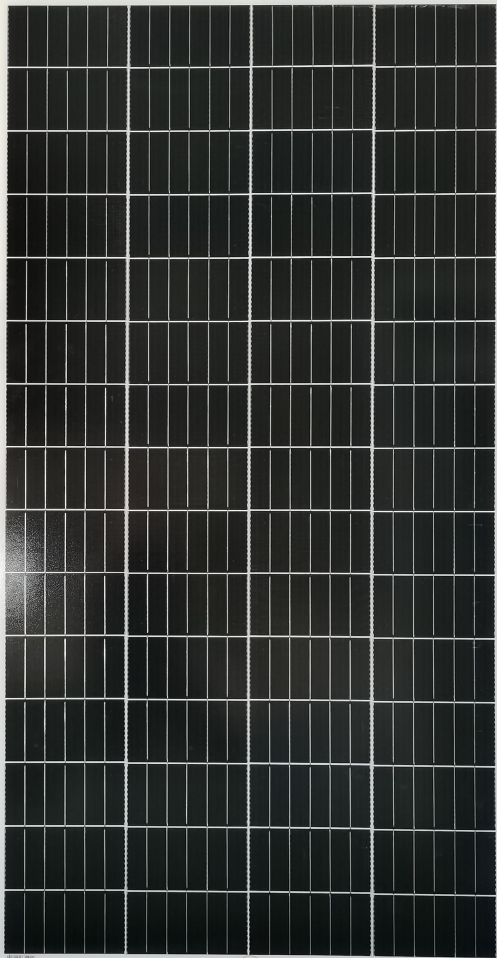
#### Maximize customer benefits

Maximize the benefits of end customers



#### Strict quality control

Very strict quality control process and introduction of lean production mode

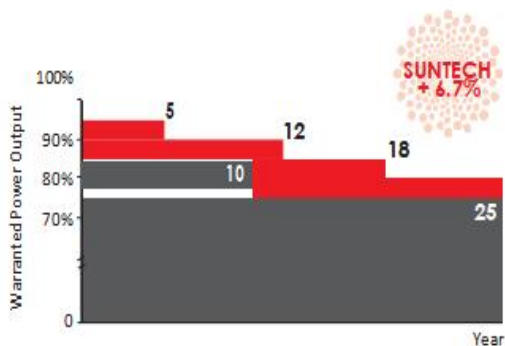


Trust Hangzhou Solar photoelectricity to Deliver Reliable Performance Over Time

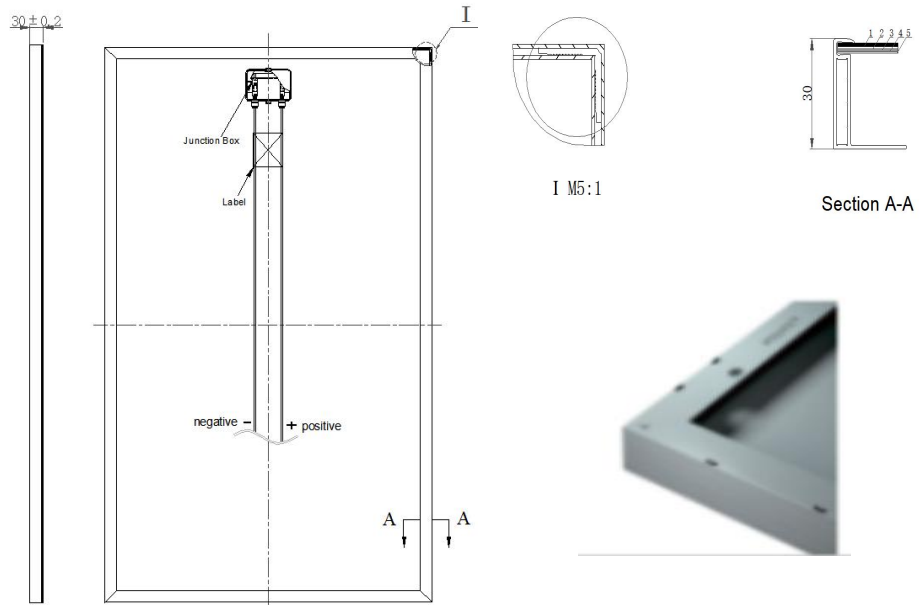
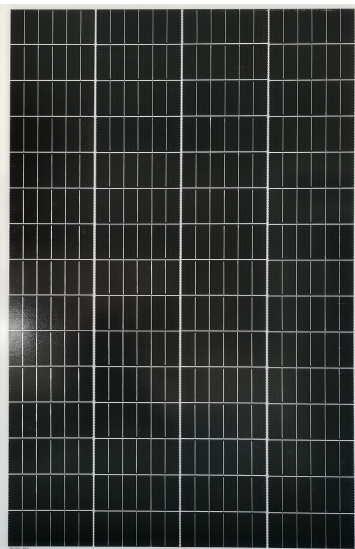


Reliable IP67 Rated Junction Box

#### Industry-leading Warranty based on nominal power



## Engineering drawings.



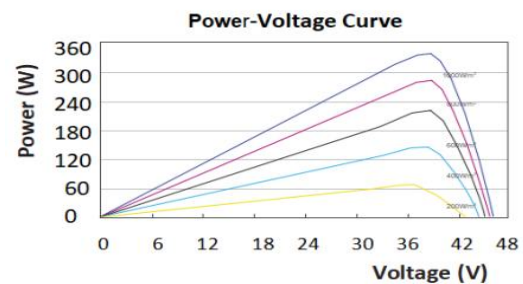
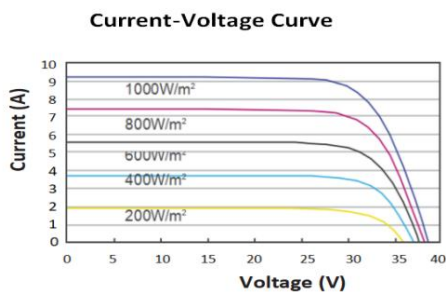
## Mechanical Characteristics

Solar Cell	Monocrystalline silicon 210× 105mm
No. of Cells	60 (4 × 15)
Dimensions	1680 × 900 × 30mm
Weight	15kg
Front Glass	3.2 mm tempered glass
Frame	Anodized aluminium alloy

## Temperature Characteristics

Nominal Operating Cell Temperature	45±2°C
Temperature Coefficient of Pmax	-0.40 %/°C
Temperature Coefficient of Voc	-0.31 %/°C
Temperature Coefficient of Isc	0.051 %/°C

## I-V Curves of pv module



## Electrical Characteristics

STC	HZS300M-60	HZS290M-60
Maximum Power at STC (Pmax)	300W	290W
Optimum Operating Voltage (Vmp)	32.6 V	32.4V
Optimum Operating Current (Imp)	9.21 A	8.96A
Open Circuit Voltage (Voc)	39.12V	38.88V
Short Circuit Current (Isc)	9.86A	9.59A
Module Efficiency	19.84%	19.18%
Operating Module Temperature	-40 °C to +85 °C	
Maximum System Voltage	1500 V DC (IEC)	
Power Tolerance	0/+5 %	

STC: Irradiance 1000 W/m<sup>2</sup>, module temperature 25 °C, AM=1.5;

